

Migrate existing graphics to native OSIsoft PI Vision displays

# VISION ACCELERATOR

## Challenges & Needs

- Secure web based process graphics at the enterprise level
- Migrate multiple graphic platforms to a unified solution
- Cost effective and accurate migration to native PI Vision screens
- Accelerate adoption of digital transformation

	Quality	Built-In Validation Process	Native PI Vision Displays	Industry Specific Support	Cost
<b>RoviSys Solution</b>	High	✓	✓	✓	Significant Reduction from Manual
<b>Manual</b>	Vulnerable to human error	✗	Additional effort required	?	High
<b>Other Toolsets</b>	Varies	✗	✗	✗	Moderate

Accurate, quick and fully functional native PI Vision graphics - costs 75% less than manual migration

## Supported Systems



# Success Stories



## OIL REFINING

Cost savings \$490K

700 AspenTech OIS graphics of varying complexity

10 hours per display using manual means

Migration Accelerator reduced time to 45 minutes per display

Accelerated adoption of analytics with process graphics



## NATURAL GAS

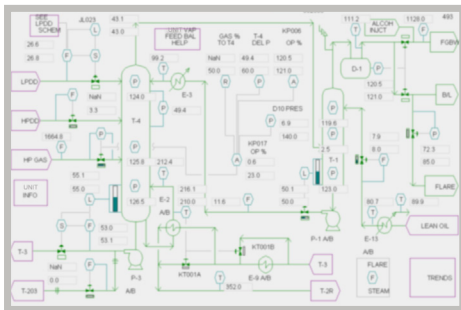
Cost Savings \$300K

400 ProcessNet displays

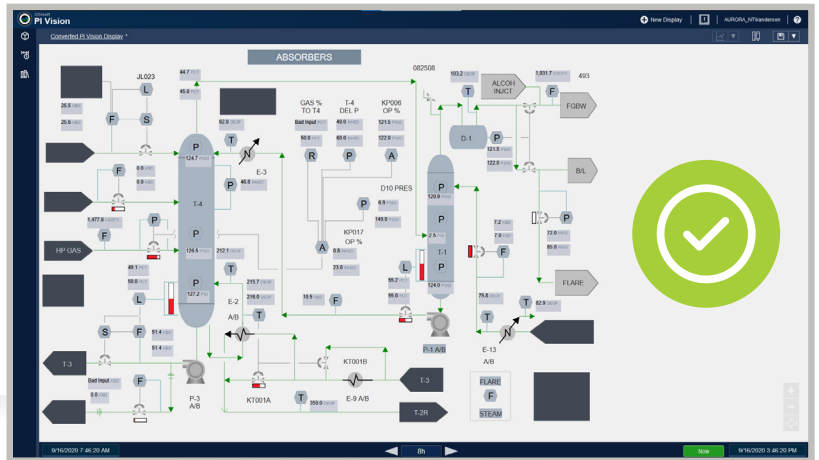
Manual migration 8-10 hours per display

Migration Accelerator reduced time to less than 1 hour per display

Eliminate legacy technology



**BEFORE**



**AFTER**

## CONTACT



**RYAN ANDERSON**

Email: [ryan.anderson@rovisys.com](mailto:ryan.anderson@rovisys.com)

Mobile: 330-562-8600 ext. 88238

**Contact RoviSys to evaluate your specific migration needs**